



US008603338B2

(12) **United States Patent**
Kistner et al.

(10) **Patent No.:** **US 8,603,338 B2**
(45) **Date of Patent:** **Dec. 10, 2013**

(54) **SEPTIC SYSTEM**

(71) Applicants: **Kenneth J. Kistner**, Midlothian, TX
(US); **Carolyn R. Kistner**, Midlothian,
TX (US)

(72) Inventors: **Kenneth J. Kistner**, Midlothian, TX
(US); **Carolyn R. Kistner**, Midlothian,
TX (US)

(*) Notice: Subject to any disclaimer, the term of this
patent is extended or adjusted under 35
U.S.C. 154(b) by 0 days.

4,104,166	A	8/1978	LaRaus	
4,123,800	A	10/1978	Mazzei	
5,004,159	A	4/1991	Kistner	
5,005,765	A	4/1991	Kistner	
5,520,888	A	5/1996	Berndt	
5,891,330	A	4/1999	Morris	
5,905,037	A	5/1999	Cooney, Jr. et al.	
6,106,703	A	8/2000	Nassef	
6,284,138	B1 *	9/2001	Mast	210/606
6,461,509	B1 *	10/2002	Verwater et al.	210/606
6,652,743	B2	11/2003	Wallace et al.	
6,984,325	B1	1/2006	Venable	
2003/0164329	A1	9/2003	Young	
2006/0043017	A1	3/2006	Cooley	
2007/0289921	A1 *	12/2007	Choi et al.	210/603

(21) Appl. No.: **13/646,818**

(22) Filed: **Oct. 8, 2012**

(65) **Prior Publication Data**

US 2013/0026094 A1 Jan. 31, 2013

Related U.S. Application Data

(60) Division of application No. 13/364,033, filed on Feb.
1, 2012, now Pat. No. 8,282,817, and a
continuation-in-part of application No. 13/083,986,
filed on Apr. 11, 2011, now Pat. No. 8,110,096.

(60) Provisional application No. 61/323,958, filed on Apr.
14, 2010.

(51) **Int. Cl.**
C02F 3/00 (2006.01)

(52) **U.S. Cl.**
USPC **210/604**; 212/620; 212/173

(58) **Field of Classification Search**
USPC 210/604, 620, 173-174
See application file for complete search history.

(56) **References Cited**

U.S. PATENT DOCUMENTS

3,680,704	A	8/1972	Schaefer
3,799,346	A	3/1974	Freese
4,070,292	A	1/1978	Adams

OTHER PUBLICATIONS

Office Action dated Sep. 20, 2011 from counterpart U.S. Appl. No.
13/083,986.

Notice of Allowance dated Oct. 3, 2011 from counterpart U.S. Appl.
No. 13/083,986.

Restriction Requirement dated Apr. 26, 2012 from counterpart U.S.
Appl. No. 13/364,033.

Response to Restriction Requirement dated May 17, 2012 from coun-
terpart U.S. Appl. No. 13/364,033.

Notice of Allowance dated Jun. 7, 2012 from counterpart U.S. Appl.
No. 13/364,033.

* cited by examiner

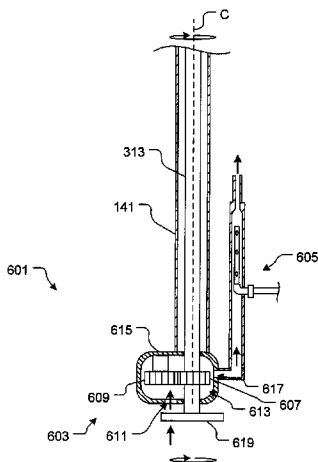
Primary Examiner — Chester Barry

(74) *Attorney, Agent, or Firm* — James E. Walton; Richard
G. Eldredge

(57) **ABSTRACT**

A system and method includes an aeration subsystem that
excites enzymes in the liquid waste passing through the septic
system. The aeration subsystem includes a compressor sec-
tion that compresses the liquid waste and an injector section
that injects oxygen into the compressed liquid waste. The
system further includes a driver subsystem for driving the
compressor section and a control subsystem for activating
and deactivating the driver subsystem.

5 Claims, 7 Drawing Sheets



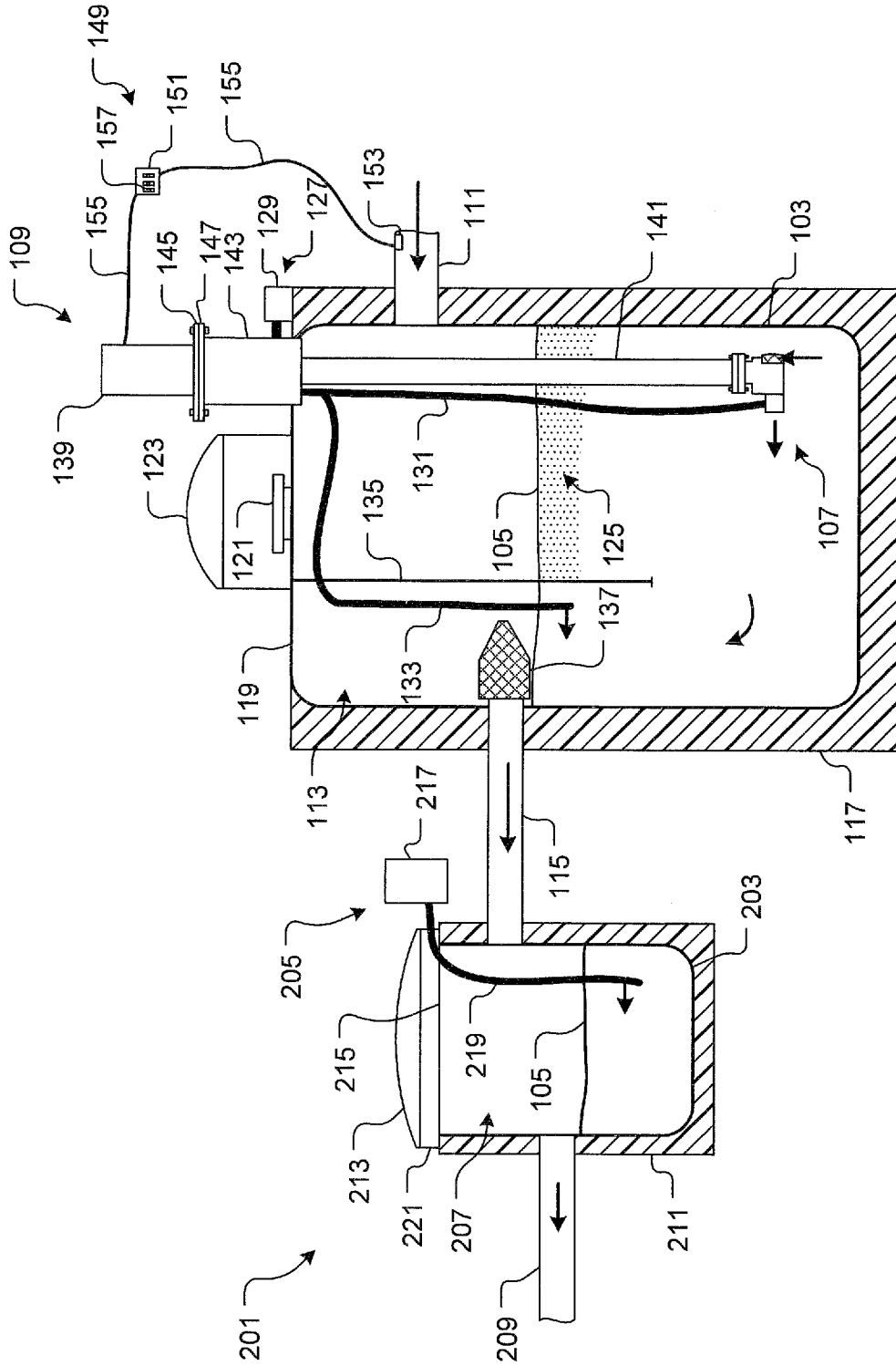


FIG. 2

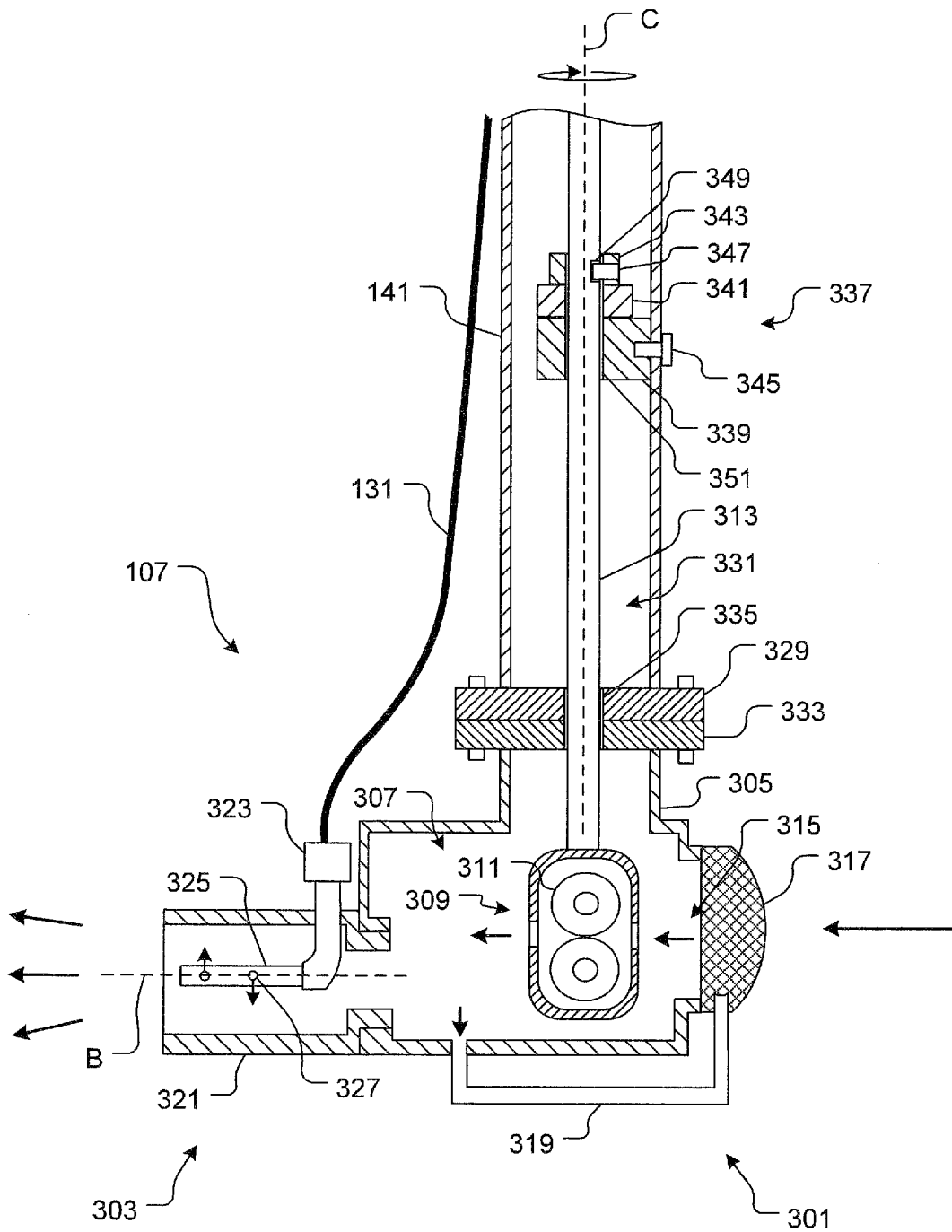


FIG. 3

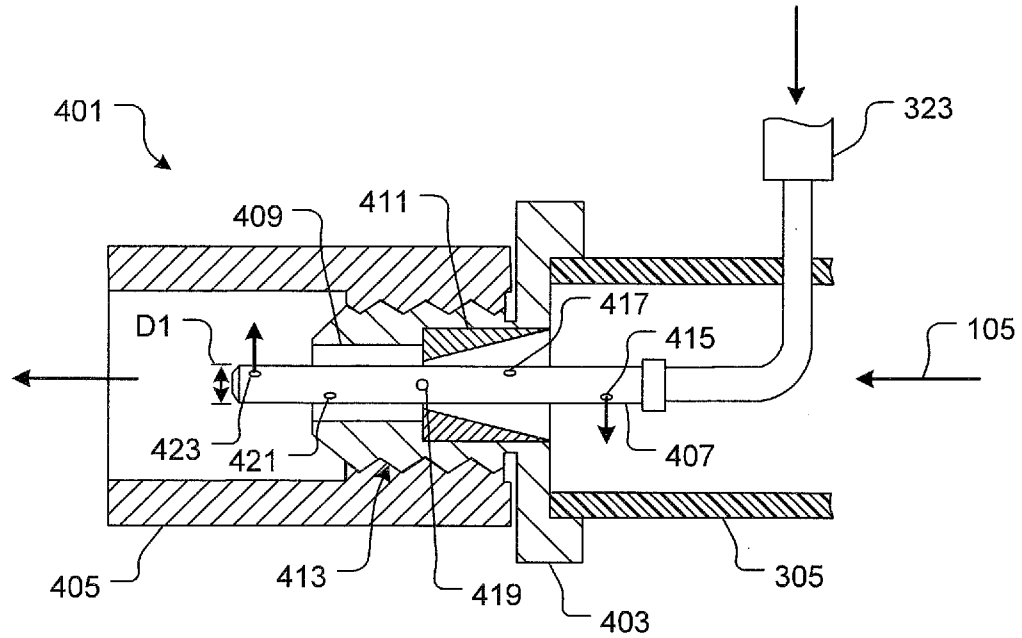


FIG. 4

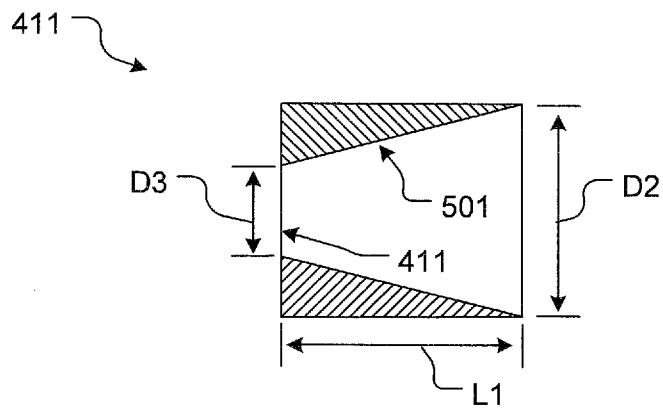


FIG. 5

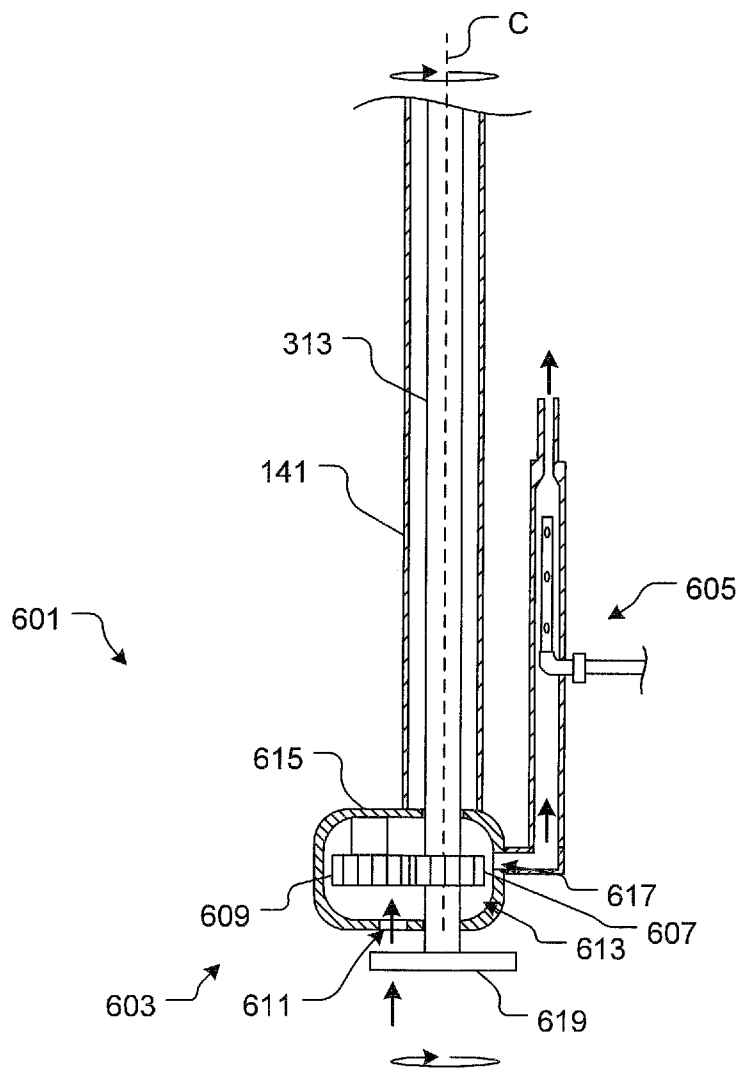


FIG. 6

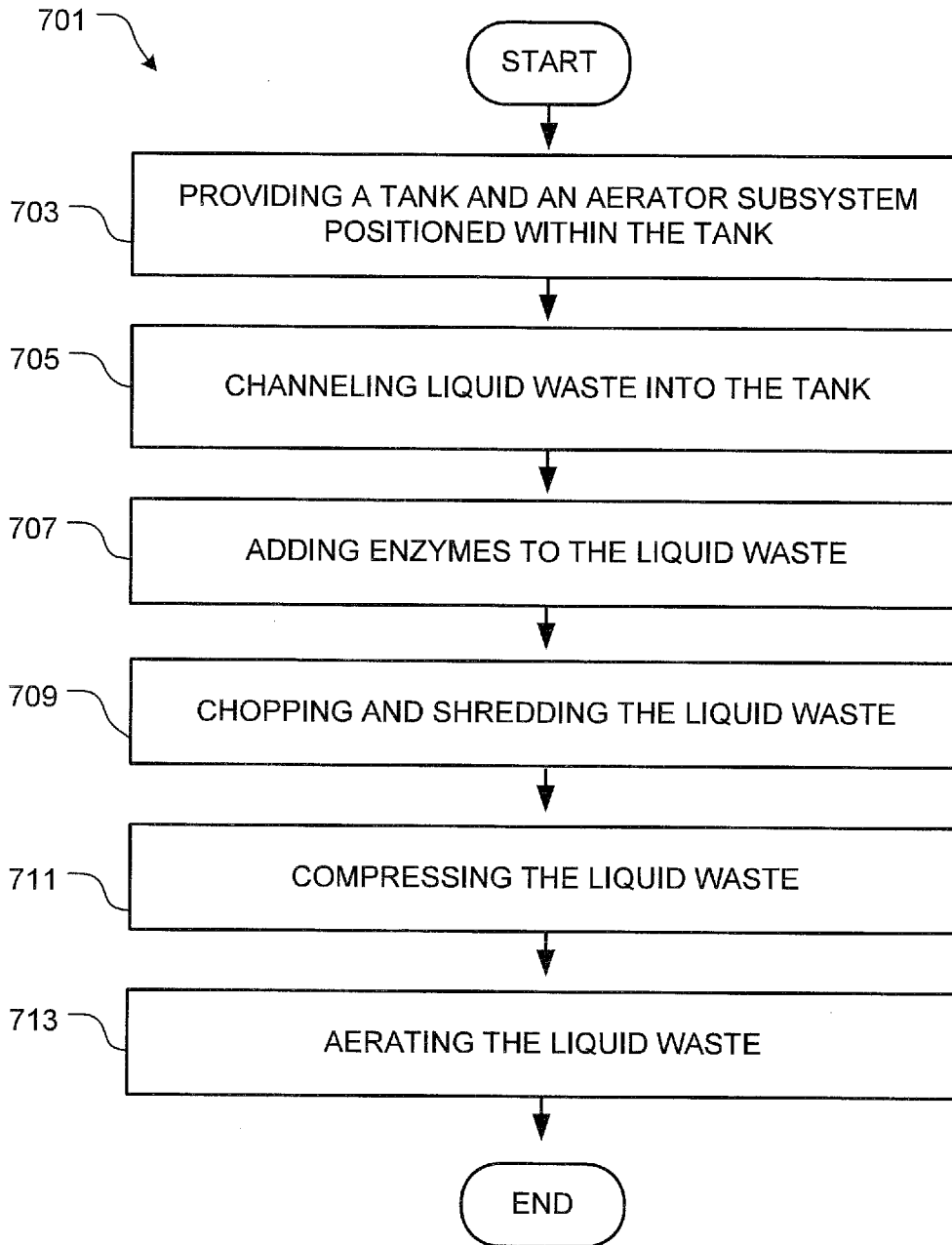


FIG. 7

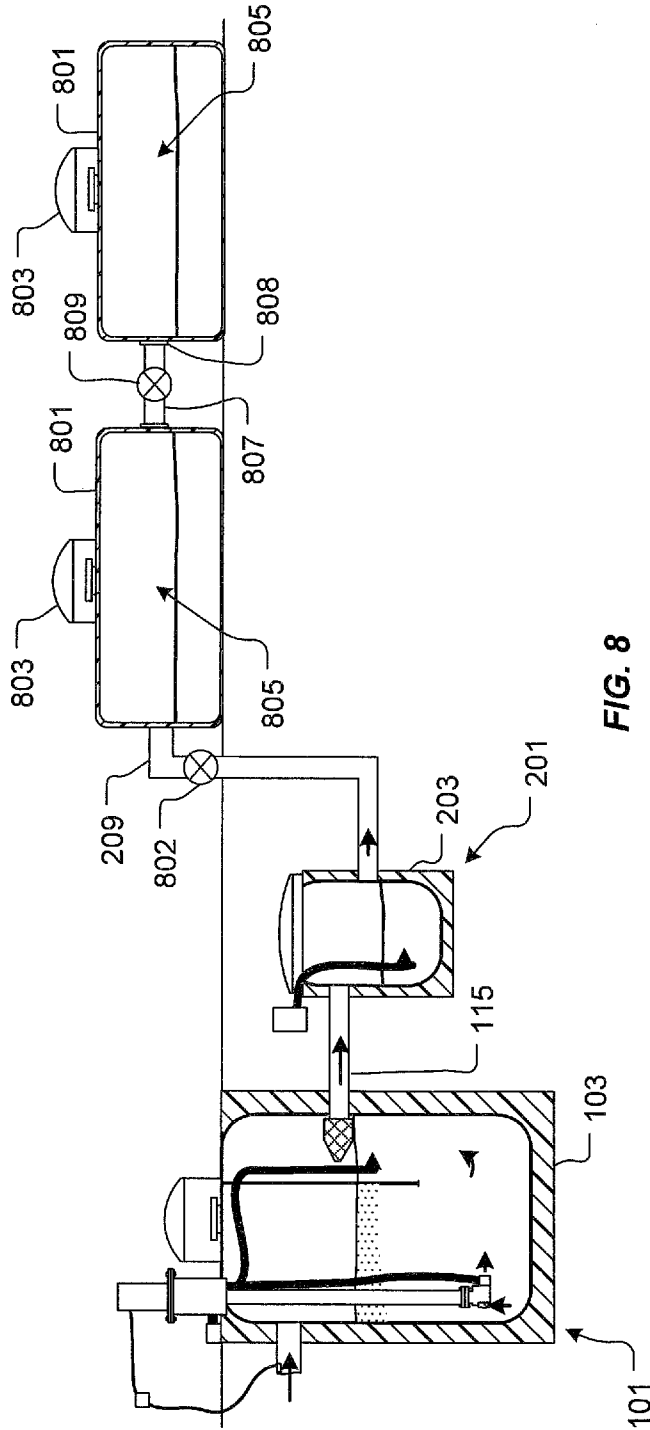


FIG. 8

1

SEPTIC SYSTEM**CROSS REFERENCE TO RELATED APPLICATIONS**

This application is a Divisional of U.S. application Ser. No. 13/364,033, filed 1 Feb. 2012, titled, "Septic System," now U.S. Pat. No. 8,282,817, which is a continuation-in-part of U.S. application Ser. No. 13/083,986, filed 11 Apr. 2011, titled "Septic System," which issued as U.S. Pat. No. 8,110,096 on 7 Feb. 2012, which claims benefit to U.S. Provisional Application No. 61/323,958, filed 14 Apr. 2010, titled "Septic System," all of which are hereby incorporated by reference for all purposes as if fully set forth herein.

BACKGROUND**1. Field of the Invention**

The present application relates generally to fluid systems and, more particularly, to septic systems.

2. Description of Related Art

Septic systems are well known in the art for disposing waste material found in gray water, black water, sewage, and the like and are typically used in rural residential areas where city sewage systems are unavailable. Septic systems include one or more tanks for storing and treating liquid waste. After treatment, the effluent is leached from the septic system and deposited in the soil surrounding the septic system. Under ideal conditions the septic systems effectively remove odors, waste material, and harmful bacteria from the liquid waste. It should be understood that the effectiveness of the process varies considerably upon different factors, including the capacity of the system in relation to the number of persons utilizing the facilities serviced by the septic tank and the type of waste matter entering into the septic system.

Enzymes and/or other organisms are typically added to the liquid waste, which in turn effectively disposes of the waste material. Commercial enzymes, such as RID-EX, effectively decompose the waste matter in the liquid waste. It should be understood that merely adding enzymes will not result in the full decomposition of the waste material. For example, some enzymes have the tendency to settle to the bottom of the tank, never reaching the floating waste material. In addition, some septic systems do not provide sufficient time for the enzymes to dispose of the waste material.

Although great strides have been made in septic systems, considerable shortcomings remain.

DESCRIPTION OF THE DRAWINGS

The novel features believed characteristic of the invention are set forth in the appended claims. However, the invention itself, as well as a preferred mode of use, and further objectives and advantages thereof, will best be understood by reference to the following detailed description when read in conjunction with the accompanying drawings, wherein:

FIG. 1 is a side view of a septic system according to the preferred embodiment of the present application;

FIG. 2 is a side view of an alternative embodiment of the septic system of FIG. 1;

FIG. 3 is a side view of an aeration subsystem of the septic system of FIG. 1;

FIG. 4 is a side view of an injector section of the aeration subsystem of FIG. 3;

FIG. 5 is a side view of an injection cone of the injector section of FIG. 4;

2

FIG. 6 is a side view of an alternative embodiment of the aeration subsystem of the septic system of FIG. 1;

FIG. 7 is a flow chart illustrating the method of diagnosis according to preferred embodiment; and

FIG. 8 is a side view of an alternate embodiment of the septic system of FIG. 1.

While the system and method of the present application is susceptible to various modifications and alternative forms, specific embodiments thereof have been shown by way of example in the drawings and are herein described in detail. It should be understood, however, that the description herein of specific embodiments is not intended to limit the invention to the particular embodiment disclosed, but on the contrary, the intention is to cover all modifications, equivalents, and alternatives falling within the spirit and scope of the process of the present application as defined by the appended claims.

DETAILED DESCRIPTION OF THE PREFERRED EMBODIMENT

Illustrative embodiments of the system and method are provided below. It will of course be appreciated that in the development of any actual embodiment, numerous implementation-specific decisions will be made to achieve the developer's specific goals, such as compliance with system-related and business-related constraints, which will vary from one implementation to another. Moreover, it will be appreciated that such a development effort might be complex and time-consuming, but would nevertheless be a routine undertaking for those of ordinary skill in the art having the benefit of this disclosure.

The septic system of the present application overcomes common disadvantages associated with conventional septic systems. The septic system of the present application comprises one or more aeration subsystems adapted for exciting enzymes added to the liquid waste. The aeration subsystem greatly reduces waste material by the process of breaking apart the molecular bonds of the enzymes, and then, injecting oxygen into the liquid waste material. The dual process results in an enzyme feeding frenzy.

The septic system of the present application will be understood, both as to its structure and operation, from the accompanying drawings, taken in conjunction with the accompanying description. Several embodiments of the septic system are presented herein. It should be understood that various components, parts, and features of the different embodiments may be combined together and/or interchanged with one another, all of which are within the scope of the present application, even though not all variations and particular embodiments may be specifically illustrated in the drawings.

Referring now to FIG. 1 in the drawings, a side view of septic system **101** according to the preferred embodiment is shown. Septic system **101** is utilized to store, treat, and dispose of liquid waste such as gray water, black water, and sewage from a residential building. However, it should be appreciated that the features of septic system **101** could easily be incorporated in any application for disposing of liquid waste, i.e., a cattle pond wherein cow manure is frequently deposited, feed lots, portable waste systems for disposing of pet waste material, and/or waste systems. It will be appreciated that the features of septic system **101** could easily be adapted to retrofit existing septic systems.

Septic system **101** comprises one or more of a tank **103** adapted to store and treat liquid waste **105** entering from a residential building (not shown), an aeration subsystem **107** being positioned in tank **103** for providing oxygen to liquid

waste **105** disposed therein, and a driver subsystem **109** for driving aeration subsystem **107**.

Septic system **101** is preferably a gravity pulled system, wherein liquid waste **105** travels through system **101** via the earth's gravitational pull. Thus, in the preferred embodiment, tank **103** is positioned underground, below the residential fluid reservoirs, i.e., the household sink, dishwasher, shower, toilet, and the like. The household fluid reservoirs are in fluid communication with conduit **111**, which is adapted for channeling liquid waste **105** to a cavity **113**. Liquid waste **105** enters cavity **113** via conduit **111** and exits via a conduit **115**. While in cavity **113**, liquid waste **105** is stored and preferably treated with enzymes or other similar types of organisms or material adapted to dispose of waste material. Liquid waste **105** eventually exits cavity **113** via conduit **115** when a pre-determined fluid capacity in tank **103** is reached. Thereafter, effluent is leached to an area surrounding septic system **101**, i.e., to the lawn. It should be appreciated that alternative embodiments of septic system **101** could include tank **103** positioned aboveground in lieu of the preferred embodiment; however, this type of embodiment would likely require additional driver subsystems, i.e., pumps, for channeling the waste water through the septic system. In addition, it will be appreciated that system **101** could be adapted as a portable system. For example, in an alternative embodiment, system **101** could be adapted to mounting on a truck and/or other mobile apparatus, thus allowing system **101** to effectively dispose of waste in multiple locations.

Tank **103** is preferably a 275 gallon tank manufactured with an impermeable material, i.e., plastic, that allows sunlight or other forms of light to travel therethrough. It has been discovered that sunlight further increases the effectiveness of the treatment process due to sunlight exciting the enzymes, which in turn causes the enzymes to effectively decompose the waste material. Tank **103** is preferably supported underground with a concrete material **117** approximately 3 inches thick. Material **117** is used to support the bottom and sides of tank **103**. A top surface **119** of tank **103** remains exposed to receive sunlight. Of course, it should be appreciated that alternative embodiments could include septic tanks having different storage capacities, composed of different materials, and supported with different types of support structures in lieu of the preferred embodiment. For example, a septic system for a commercial or industrial application would require a larger tank and could be supported with a metal support structure in lieu of the preferred embodiment. In addition, an alternative embodiment could include septic tanks manufactured with fiberglass, metal, and/or other suitable materials in lieu of the preferred embodiment.

Tank **103** is further provided with a lid **121** that enables a user to access cavity **113**. For example, a user can open lid **121** to visually inspect aeration subsystem **107** or add additional enzymes to liquid waste **105**. An optional sun bonnet **123** is provided and placed over lid **121**. Sun bonnet **123** serves to protect lid **121** and increases the aesthetic appearance of the septic system. Sun bonnet **123** is preferably composed of a transparent or translucent material, i.e., a form of plastic material, which allows sunlight to pass therethrough. FIG. 1 illustrates bonnet **123** covering lid **121** and a small surrounding area; however, it should be appreciated that bonnet **123** could be adapted to cover the entire top surface area **119**.

Aeration subsystem **107** is preferably utilized to excite enzymes in waste water **105** and, thereafter, providing oxygen to the enzymes. This process has been shown to cause a feeding frenzy between the enzymes and the waste material. It should be appreciated that alternative embodiments of aeration subsystem **107** could include a less sophisticated sub-

system by merely injecting oxygen into liquid waste **105** in lieu of preferred process. It will be appreciated that oxygenation systems adapted to provide merely oxygen, could be utilized in lieu of or in addition to aeration subsystem **107** in alternative embodiments.

Aeration subsystem **107** is adapted to circulate liquid waste **105** in cavity **113** such that the enzymes are constantly being circulated from aeration subsystem **107** to the waste material **125** floating on the surface of liquid waste **105**. In the preferred embodiment, aeration subsystem **107** is positioned at a depth below waste material **125**. It should be understood that waste material **125** is typically less dense than liquid waste **105**, thus having a tendency to float near the surface of liquid waste **105**. Placing aeration subsystem **107** below waste material **125** increases the overall effectiveness of circulating liquid waste **105** due to less waste material **125** clogging the components of aeration subsystem **107**. It should be appreciated that alternative embodiments could include an aeration subsystem adapted for receiving waste material **125**, i.e., a subsystem that shreds waste material **125** into smaller pieces while also providing oxygen to the liquid waste (see FIG. 6). The particular features of aeration subsystem **107** are further illustrated and discussed in below with reference to FIGS. 3-5.

Septic system **101** further comprises an air subsystem **127** in gas communication with aeration subsystem **107**. Air subsystem **127** includes an air pump **129** adapted to channel air through tubing **131** and tubing **133**. Tubing **131** channels air to aeration subsystem **107**, while tubing **133** channels air to liquid waste **105** near conduit **115**. Tubing **131** and tubing **133** are preferably composed of a metal material, i.e., copper tubing; however, it should be appreciated that alternative embodiments could include other types of tubing such as rubber tubing in lieu of the preferred embodiment.

In the preferred embodiment, air subsystem **127** is further provided a container **134** for storing enzymes. Container **134** is in fluid communication with conduit **133** and is adapted for providing a determined amount of enzymes in the stream of air channeled through conduit **133**.

An optional baffle **135** is utilized for separating waste material **125** from conduit **115**. FIG. 1 illustrates baffle **135** attached to the top interior surface of cavity **113** and extending to a position in liquid waste **105** below the depth of waste material **125**. Baffle **135** could be composed of a permeable material such as a perforated plate for allowing liquid waste **105** to pass therethrough. In the preferred embodiment, tubing **133** is positioned near the entrance of conduit **115** and has one or more ports (not shown) for providing air passage. The pressurized air leaving tubing **133** moves any waste material **125** away from the entrance of conduit **115**. The entrance of conduit **115** is covered with an optional screen **137** for keeping waste material **125** from entering into conduit **115**. The combination of providing a baffle, a conduit with pressurized air, and a screen effectively reduces the amount of waste material **125** entering in conduit **115**.

Driver subsystem **109** preferably comprises one or more of a motor **139**, a shaft **313** (see FIG. 3), and a mast **141**. Motor **139** is adapted to rest securely on a cylindrical sleeve **143**. Sleeve **143** extends through top surface **119** and provides access to cavity **113**. In the preferred embodiment, sleeve **143** is sufficiently sized such that a user can conveniently remove mast **141** and aeration subsystem **107** through sleeve **143**. This accommodates situations when the aeration subsystem needs to be removed from cavity **113**, i.e., for maintenance.

Motor **139** is attached to a flange **145**, which in turn couples to a flange **147** attached to sleeve **143**. When assembled, flange **145** rests on flange **147** and is secured with one or more

bolts. Flange 145 and flange 147 create a fluid seal such that liquid waste 105 cannot escape cavity 113 through sleeve 143. In the preferred embodiment, air subsystem 129 also utilizes sleeve 143 for allowing tubing 131 and tubing 133 access to cavity 113. It should be appreciated that alternative

embodiments could include passages through surface 119 and/or lid 121 for allowing tubing 131 and tubing 133 access to cavity 113. In the preferred embodiment, driver subsystem 109 utilizes an electric motor conductively coupled to an electrical power source (not shown); however, it should be appreciated that alternative

embodiments could include different devices to drive driver subsystem 109. For example, in rural areas where electrical means are limited, a bike can be modified to drive aeration subsystem 107. In this embodiment, the back wheel of the stationary bike can be modified to rotate a flywheel or similar device for driving aeration subsystem 107. Septic system 101 is further provided with an optional control subsystem 149 comprising one or more of a control box 151, a sensor 153, and two conductors 155. Conductors 155 are conductively coupled between control box 151, motor 139, and sensor 153. In the preferred embodiment, sensor 153 is positioned in conduit 111 and adapted for detecting the flow of liquid waste 105 channeled there-through. Upon sensing the flow of liquid waste 105, sensor 153 relays a signal to control box 151, which in turn activates motor 139 that drives aeration subsystem 107 for a predetermined time. It should be appreciated that control box 151 comprises circuitry, microprocessors, memory devices, sensors, switches, and other electronic components necessary to run and operate aeration subsystem 107. In addition, it should be appreciated that control box 151 can be manually controlled via a switch 157 designated to activate and deactivate driver subsystem 109. Alternative embodiments could also include a sensor being positioned at different locations, i.e., within cavity 113, in lieu of the preferred embodiment.

Referring now also to FIG. 2 in the drawings, an alternative embodiment of septic system 101 is illustrated. In this embodiment, septic system 101 is further provided with an additional septic system 201, which is adapted to further treat liquid waste 105 before the effluent is leached into an area surrounding the septic system. It should be appreciated that the features discussed above with respect to septic system 101 may be incorporated in septic system 201.

Septic system 201 comprises one or more of a tank 203 and an air subsystem 205. Treated liquid waste 105 leaving septic system 101 is channeled to an inner cavity 207. Therein, liquid waste 105 is stored and treated before exiting through a conduit 209. Like septic system 101, tank 203 is preferably positioned underground and supported with a concrete material 211. An optional sun bonnet 213 is provided to cover a top surface 215 of tank 203. Sun bonnet 213 is manufactured with a material that allows sunlight to pass therethrough.

Air subsystem 205 includes an air pump 217 and a conduit 219. Conduit 219 preferably passes through a wall 221 supporting sun bonnet 213. Conduit 219 is in communication with liquid waste 105. The added oxygen further excites the enzymes disposed in liquid waste 105, thereby decomposing any remaining waste material 125 channeled from septic system 101. It should be appreciated that conduit 219 could couple to pump 129, resulting in only one air pump utilized between the two septic systems. Furthermore, it should be appreciated that air pump 217 could be operably associated with control system 149, such that pump 217 is activated concurrently with aeration subsystem 107.

Referring now also to FIG. 3 in the drawings, a side view of aeration subsystem 107 is illustrated. Aeration subsystem 107

preferably includes a compressor section 301 and an injector section 303. In the preferred embodiment, injector section 303 is threadedly coupled to compressor section 301 (see FIG. 4); however, it should be appreciated that alternative embodiments could include different attachment means, i.e., a quick-release device, in lieu of the preferred embodiment. During operation, liquid waste 105 enters compressor section 301, where liquid waste 105 is compressed, and thereafter, channeled to injector section 303, where the compressed liquid waste 105 is injected with oxygen. The application of adding pressure and oxygen to the liquid waste 105 has been found to be effective in exciting the enzymes, resulting in a feeding frenzy, wherein the enzymes actively decompose waste material 125.

Compressor section 301 includes a casing 305 having an inner cavity 307 for housing a compressor 309. In the preferred embodiment, compressor 309 creates sufficient pressure to break apart the enzymes' molecular bonds. Compressor 309 preferably includes two or more intermeshing gears 311 driven by shaft 313 rotatably coupled to motor 139. It should be appreciated that alternative embodiments could include other devices, i.e., actuators, piston, impellers, and the like for compressing liquid waste 105. Alternative compressor sections could also be adapted with a compressor or similar device that merely directs liquid waste 105 from compressor section 301 to injector section 303 without breaking apart the enzymes' molecular bonds.

Casing 305 includes an opening 315 that provides access for liquid waste 105 to enter cavity 307. In the preferred embodiment, opening 315 is covered with a screen 317 for preventing waste material 125 from entering into cavity 307. An optional conduit 319 channels compressed liquid waste 105 from cavity 307 to opening 315 for blowing clogged waste matter 125 off screen 317.

Injector section 303 is adapted for injecting oxygen in the compressed liquid waste 105 from compressor section 301. Injector section 303 preferably includes a conduit 321, a connector 323, and a nozzle 325. Connector 323 passes through conduit 321 and connects tubing 131 to nozzle 325. During operation, air from pump 129 channels through tubing 131, through connector 323, and is injected into liquid waste 105 via nozzle 325. Nozzle 325 is manufactured with one or more selectively positioned ports 327 for injecting air into the stream of liquid waste 105 passing through injector section 303. In the preferred embodiment, nozzle 325 is coaxially aligned with the longitudinal centerline B of conduit 321. Further illustration and discussion of injector section 303 is provided below with reference to FIGS. 4 and 5.

Aeration subsystem 107 is securely held within cavity 113 via mast 141. Mast 141 has an interior cavity 331, which houses shaft 313. Mast 141 includes a flange 329 adapted to securely fasten to a flange 333 attached to casing 305. When assembled, flange 329 is secured to flange 333 with one or more bolts. Flange 329 and flange 333 create a fluid seal such that liquid waste 105 from compressor section 301 does not escape into cavity 331. A channel 335 extends through flange 329 and flange 333 for allowing shaft 313 to snugly pass therethrough.

A bearing system 337 is utilized for retaining shaft 313 coaxially aligned with the longitudinal axis C of mast 141. Bearing system 337 is disposed within cavity 331 and comprises one or more of a support member 339, a load bearing 341, and a stop collar 343. Support 339 is rigidly fastened to the inner wall of mast 141 with a fastening means 345, i.e., a bolt the screws through mast 141 and partially through support 339. When assembled, load bearing 341 and collar 343 rests on support 339. Collar 343 is provided with an attach-

ment means **347** for coupling with a hole **349** extending inwardly in shaft **313**. A channel **351** extends through bearing system **337** for allowing shaft **313** to snugly pass there-through.

Referring now also to FIG. 4 in the drawings, a side view of an injector section **401** is illustrated. Injector section **401** is substantially similar in function to injector section **303**, wherein injector section **401** couples to compressor section **301** and is adapted for injecting oxygen from air subsystem **127** into liquid waste **105**. Injector section **401** preferably includes a member **403**, a conduit **405**, and a nozzle **407**.

Member **403** is preferably welded to casing **305**, thereby providing sufficient joining strength between the two components for resisting forces exerted by the pressurized liquid waste **105** exiting compressor section **301**. However, it should be appreciated that alternative embodiments could include different attachment means for coupling member **403** to casing **305**. For example, both member **403** and casing **305** could include threaded ends such that member **403** is able to screw on casing **305**. Member **403** is preferably manufactured with a channel **409**, an injection cone **411**, and threaded ends **413**.

Nozzle **407** preferably comprises five equally spaced ports: a port **415** located near the entrance of cone **411**; a port **417** located within cone **411**; a port **419** located at the exit **420** of cone **411**; a port **421** located in channel **409**; and a port **423** located in conduit **405**. This configuration increases the efficiency of mixing oxygen with the enzymes. Liquid waste **105** is sped up, slowed down, expanded and contracted within injector section **401**, thereby creating a turbulent flow of liquid waste **105** which is ideal for injecting and mixing oxygen with the enzymes. In the preferred embodiment, each port is oriented at an angle with respect to each other, preferably around 60 degrees offset from each other. Also, it is preferred that an additional port (not shown) is positioned directly opposite to port **419**. Of course, it should be understood that different embodiments could include a nozzle having more or less ports, ports that do not align at different angles with respect to each other, and ports that are selectively positioned at different locations within injector section **401**.

Referring now also to FIG. 5 in the drawings, a side view of injection cone **411** is illustrated. Injection cone **411** increases the speed, pressure, and heat of liquid waste **105** leaving compressor section **301**, thereby further exciting the enzymes. Injection cone **411** is preferably manufactured with a conical geometric shape, wherein cone **411** has a diameter **D2** of approximately 0.98 inches at the entrance, a diameter **D3** of approximately $\frac{5}{8}$ inches at the exit, and a length **L1** of approximately $\frac{5}{8}$ inches.

In the preferred embodiment, injection cone **411** has a surface **501** that linearly tapers down from **D2** to **D3**. However, it should be appreciated that alternative embodiments could include a surface **501** having various surface profiles, including convex, concave, elliptical, and the like in lieu of the preferred embodiment.

Referring now also to FIG. 6 in the drawings, a side cross-sectional view of an alternative embodiment of the aeration subsystem is shown. Aeration subsystem **601** is substantially similar in function to aeration subsystem **107** described above and illustrated in FIGS. 1-5. It should be appreciated that the features of aeration subsystem **601** could easily be incorporated in the septic systems described above, and likewise, the features of the septic systems described above could be incorporated in aeration subsystem **601**.

Aeration subsystem **601** comprises one or more of a compressor section **603** and an injector section **605**, both being substantially similar in function to compressor section **301** and injector section **303**, respectively. In particular, compres-

or section **603** is adapted to compress liquid waste **105** passing therethrough, while injector section **303** is adapted to inject oxygen into the compressed liquid waste **105**.

Compressor section **603** comprises one or more intermeshing gears **607** and **609** adapted to compresses liquid waste **105** and the enzymes disposed therein. In the preferred embodiment, gears **607** and **609** causes sufficient pressure to break apart the molecular structure of the enzymes. Gears **607** and **609** creates a negative pressure, which in turn causes liquid waste **105** to channel through a first port **611** and enter a cavity **613** of housing **615**. Thereafter, the compressed liquid waste **105** is channeled through a second port **617** of housing **615** and injected with oxygen via injector subsystem **605**.

Shaft **313** is utilized to drive compressor section **603** and a rotating blade **619**. It should be appreciated that aeration subsystem **601** could be adapted with an optional transmission (not shown) adapted to vary the rotational speeds of the gears and the blade. Blade **619** effectively chops and shreds liquid waste **105** passing through port **611**. In the preferred embodiment, blade **619** is a single straight strip of metal having relatively no contouring. However, it will be appreciated that alternative blade embodiments could include multiple strips of material, either metal or other suitable materials, with or without contouring. In the exemplary embodiment, blade **619** extends over the entire entrance of port **611**; however, alternative embodiments could be blades that extend partially over the entrance of port **611**.

Referring now also to FIG. 7 in the drawings, a flow chart **701** illustrating the preferred method of the present application is shown. Box **703** depicts the first step, which includes the process of providing a tank and an aeration subsystem positioned therein. Liquid waste enters the tank as depicted in box **705**. Thereafter, enzymes are added to the liquid waste as depicted in box **707**. The liquid waste is chopped with a blade as depicted in box **709**. Finally, the liquid waste is compressed and aerated as depicted in boxes **711** and **713**.

Referring now also to FIG. 8 in the drawings, an alternative embodiment of septic system **101** is illustrated. In this embodiment, septic system **800** includes septic systems **101** and **201** in communication with a storage tank **801**. It is appreciated that alternate embodiments of septic system **800** may remove septic system **101** or **201**. Storage tank **801** is adapted to store waste water exiting tank **103** through conduit **115** and/or tank **203** through conduit **209** within an interior cavity **805**. Storage tank **801** is configured to be in fluid communication with the waste material. It should be appreciated that the features described above with regards to septic systems **101** and **201** could be incorporated into septic system **800**, and more particularly to storage tank **801**. For example, storage tank **801** may be configured to accept and operate in conjunction with one or more of the subsystems used with septic systems **101** and **201** for controlling, oxygenating, and treating the waste water.

One or more storage tank **801** may be used. Where pluralities of storage tanks **801** are used, storage tanks **801** are coupled together with a tank conduit **807**. Tank conduit **807** is coupled to storage tanks **801** at a port (not shown) located in a side of storage tank **801**. A connector **808**, such as a quick release connector, is used to seal tank conduit **807** to storage tank **801**. Tank conduit **807** is in fluid communication with the waste material and permits waste material to move between storage tanks. Some embodiments may incorporate a valve **809** coupled to tank conduit **807**. Valve **809** is in fluid communication with the waste material and is configured to restrict the movement of the waste material between storage tanks **801**.

Storage tank **801** is configured to rest above ground level and is preferably manufactured having a plurality of sides with an impermeable material, i.e., plastic, that allows sunlight or other forms of light to travel therethrough and further increase the effectiveness of the treatment process due to sunlight exciting the enzymes, which in turn causes the enzymes to effectively further decompose the waste material. Of course, it should be appreciated that alternative embodiments could include storage tank **801** having different storage capacities and composed of different materials in lieu of the currently described embodiment as with previously described tanks **103** and **203**. For example, in alternate embodiments, storage tanks **801** may be sized and configured to be portable.

Due to locating storage tank **801** above ground, it is understood that additional driver subsystems may be used to move the waste water from tanks **103** and **203** to storage tank **801**. For example, a pump **802** may be coupled to conduit **115** between tank **103** and storage tank **801** and/or conduit **209** between tank **203** and storage tank **801**. Pump **802** is in fluid communication with the waste material and is configured to channel the waste material to storage tank **801**.

Additionally, the ornamental and aesthetic appearance of storage tank **801** may be modified and configured to disguise the appearance of storage tank **801**. For example, storage tank **801** may be used as a fence surrounding the perimeter of a building. It is appreciated that storage tanks **801** may include any number of lids **803** or bonnets positioned on a top side of storage tank **801** to permit access to the interior cavity **805** of storage tanks **801**.

It is apparent that a system and method with significant advantages has been described and illustrated. The particular embodiments disclosed above are illustrative only, as the embodiments may be modified and practiced in different but equivalent manners apparent to those skilled in the art having the benefit of the teachings herein. It is therefore evident that the particular embodiments disclosed above may be altered or modified, and all such variations are considered within the scope and spirit of the application. Accordingly, the protection sought herein is as set forth in the description. Although

the present embodiments are shown above, they are not limited to just these embodiments, but are amenable to various changes and modifications without departing from the spirit thereof.

What is claimed is:

1. A method to treat fluid waste material, the method comprising:
 - positioning a compressor and an injector within a tank configured to receive the fluid waste material, the compressor and the injector being completely disposed within the fluid waste material;
 - mixing enzymes into the fluid waste material;
 - chopping and shredding the fluid waste material prior to the fluid waste material entering the compressor;
 - compressing the fluid waste material with the compressor; and
 - injecting air into the compressed fluid waste material with the injector.
2. The method of claim 1, further comprising:
 - breaking apart the molecular bonds of the enzymes with the compressor.
3. A method to treat fluid waste material, the method comprising:
 - positioning a compressor and an injector within a tank configured to receive the fluid waste material;
 - shredding waste within the fluid waste material with a blade associated with the compressor prior to the waste entering the compressor;
 - compressing the fluid waste material with the compressor; and
 - injecting air into the compressed fluid waste material with the injector.
4. The method of claim 3, further comprising:
 - mixing enzymes in the fluid waste material.
5. The method of claim 4, further comprising:
 - breaking apart the molecular bonds of the enzymes with the compressor.

* * * * *